

HI-TEMP SAMPLE SHUT-OFF VALVES



WATERS HI-TEMP SHUT-OFF VALVE is designed for use with sampling systems to shut off flow when the sample temperature becomes too hot.

The valve is suitable for grab sample or instrument applications which could experience a loss of coolant or surges in sample flow rates, which would cause the sample temperature to rise suddenly.

The valve can be installed directly downstream of the primary cooler in order to protect more vulnerable components further down the line. It is advantageous for the protection of personnel and instruments that could otherwise be harmed by high temperature samples.

HOW IT WORKS

The valve responds only to temperature. Under normal operation the valve is fully open. If the sample temperature reaches 120°F, the thermal element within the valve begins to close the inlet orifice. The inlet orifice is fully closed when the sample reaches 130°F. The valve automatically opens as the element cools.

FEATURES

- ❑ **AUTOMATIC:** No reset or operator involvement required.
- ❑ **CORROSION RESISTANT:** Materials Stainless Steel and Teflon to reduce contamination of sample stream.
- ❑ **COMPACT:** Low mass with fast response. Overall size only 1³/₈" diameter by 3¹/₂" length.
- ❑ **RELIABLE SHUT-OFF:** Ram-type plug design provides tight seal upon shut-off.

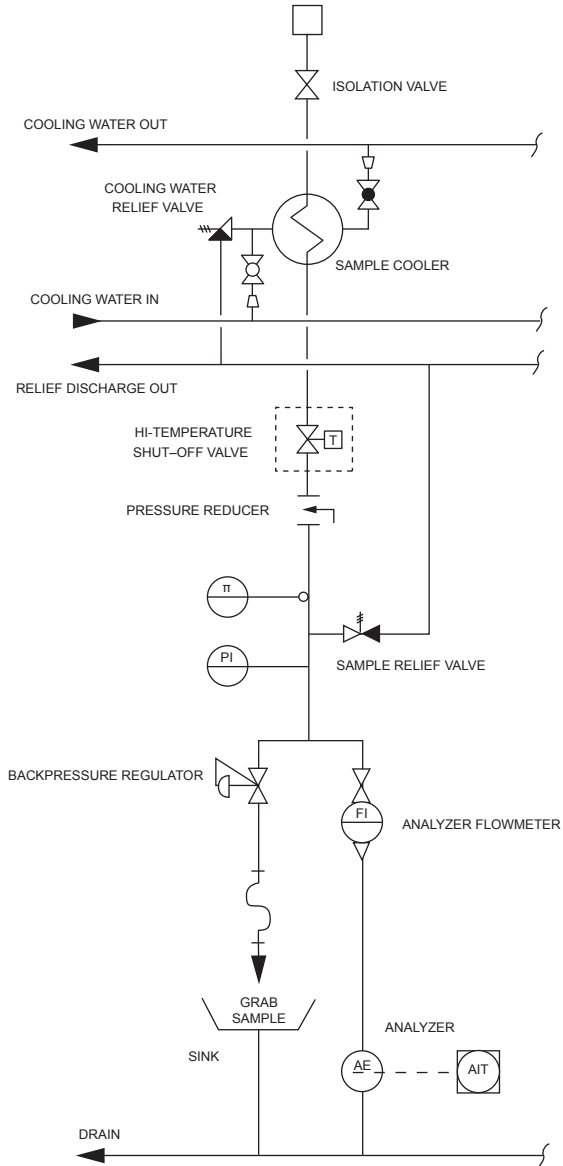
SPECIFICATIONS

PART NUMBER	MAXIMUM PRESSURE	MAXIMUM TEMPERATURE	FLOW COEFFICIENT	SAMPLE CONNECTIONS	WETTED MATERIALS
WD172117	3000 PSI	250°F	Cv=0.7	1/2" FNPT	STAINLESS STEEL AND PTFE

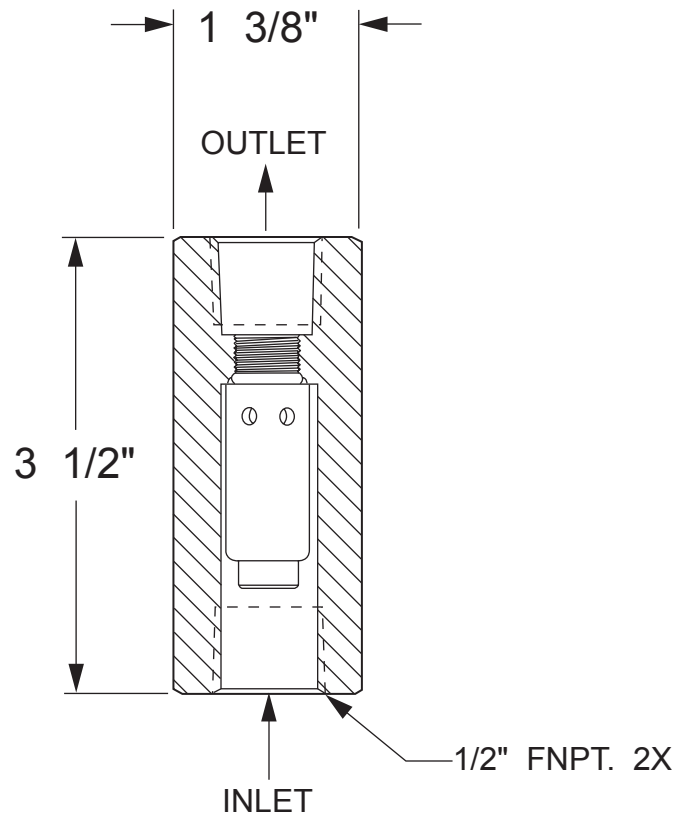
HOW TO ORDER

Specify Part Number WD172117 Hi-Temp Sample Shut-Off Valve

TYPICAL INSTALLATION



OUTLINE DIMENSIONS



The Waters Equipment expertise goes beyond Hi-Temp Sample Shut-Off Valves. We also design and manufacture:
Total Plant Water and Steam Analysis Systems • Sample Coolers • Pressure Reducers
Refillable Resin Cartridges • Portable Samplers



P.O. Box 576, Lansdale, PA 19446
215-699-8700 • Toll-Free: 1-888-363-7886 • Fax: 215-699-8795
Web Site: <http://www.watersequipment.com>
E-mail: sample@watersequipment.com

SOLD BY: